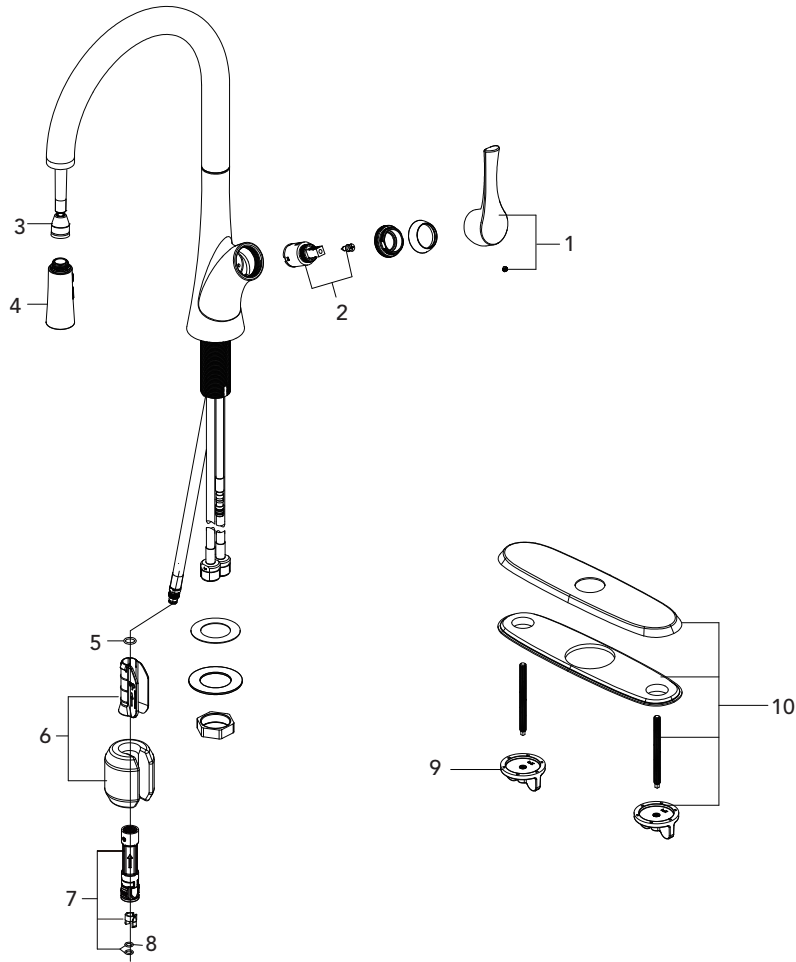


MISENO

MNO171L

SINGLE HANDLE KITCHEN FAUCET



No.	Part Name	Part No.
1	Handle	OBPF13058*
2	Cartridge & Screw	OBPF220081
3	Hose	OBPF670007A
4	Sprayhead	OBPF6F38004*
5	O-ring	OBPF60024

Warranty and Codes

All Miseno faucets have a lifetime limited warranty and certified to ASME A112.18.1; cUPC/IAPMO listed. Installation, operating, care and maintenance instructions are included.

MISENO

MNO171L SINGLE HANDLE KITCHEN FAUCET

No.	Part Name	Part No.
6	Weight	OBPF170817
7	O-ring	OBPF60002
8	Quick Connector	OBPF870429
9	Mounting Nut	OBPF156109
10	Escutcheon	OBPF80045*

NSF/ANSI/CAN372
NSF/ANSI/CAN 61-9 Qs1



Warranty and Codes

All Miseno faucets have a lifetime limited warranty and certified to ASME A112.18.1; cUPC/IAPMO listed. Installation, operating, care and maintenance instructions are included.